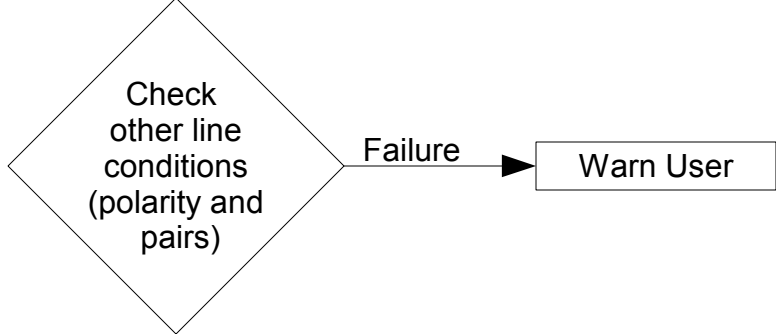
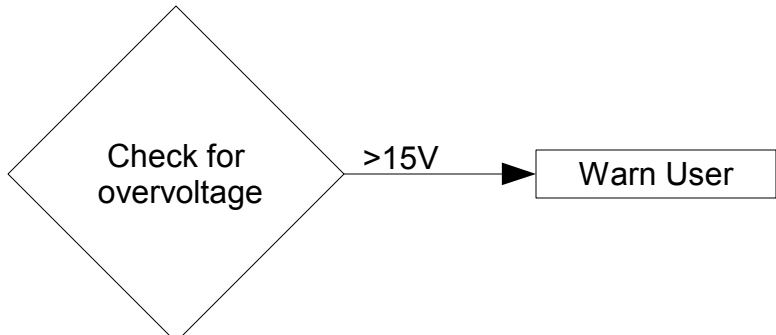


Roving Tester



Determine Signal Voltage Level

Transmit known signal to Data Source

Check for packet loss and packet errors

Retrieve data base on transmitted packets

Aggregate and Display Results