

1

2

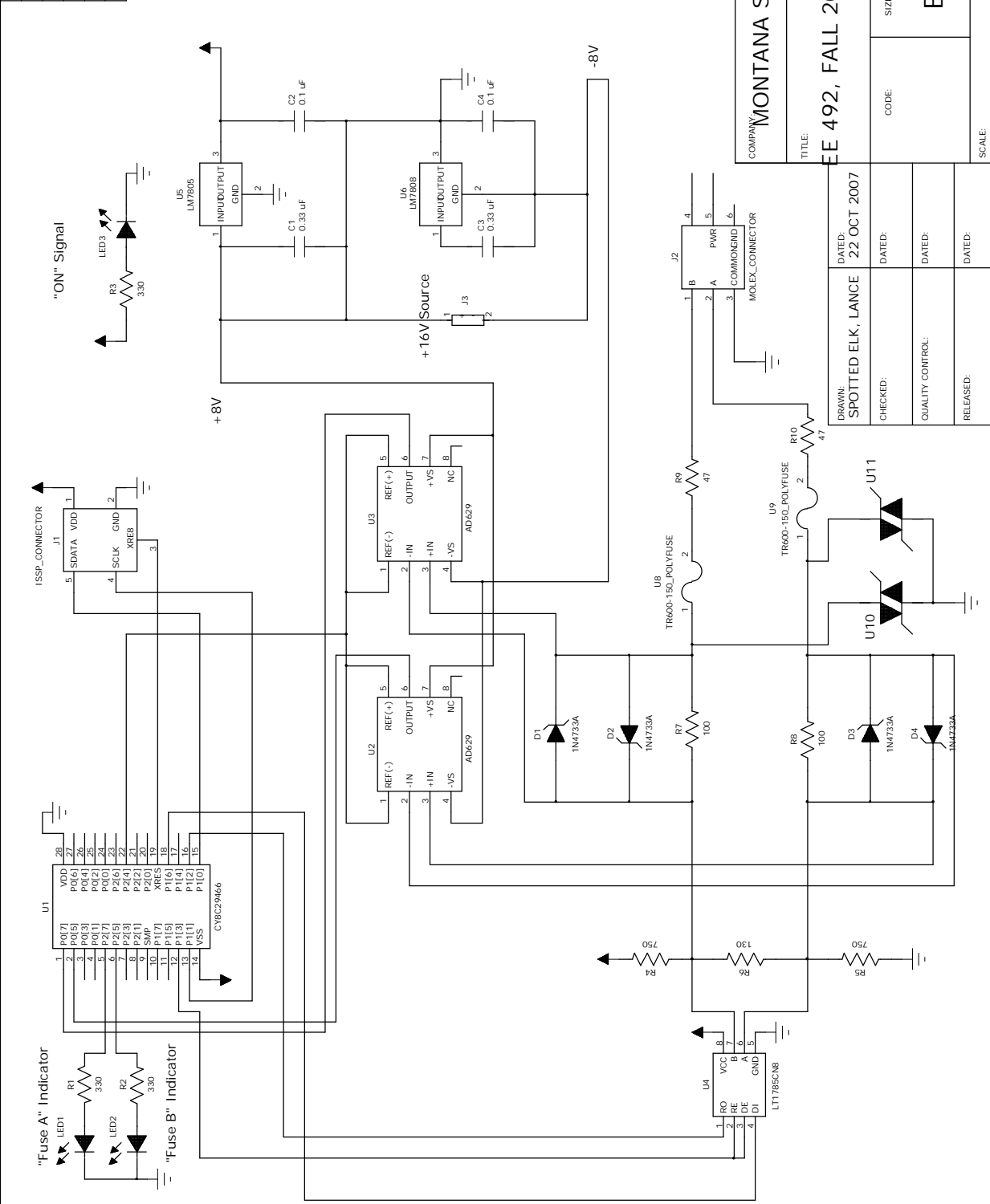
3

4

5

6

REVISION RECORD	



COMPANY: MONTANA STATE UNIVERSITY-BOZEMAN

TITLE: EE 492, FALL 2007 RS-485 DATA SOURCE COMPONENT

DRAWN: SPOTTED ELK, LANCE	DATED: 22 OCT 2007
CHECKED:	DATED:
QUALITY CONTROL:	DATED:
RELEASED:	DATED:

DRAWING NO:	
CODE:	B
SIZE:	B
REV:	4
SCALE:	SHEET: 1 OF 1